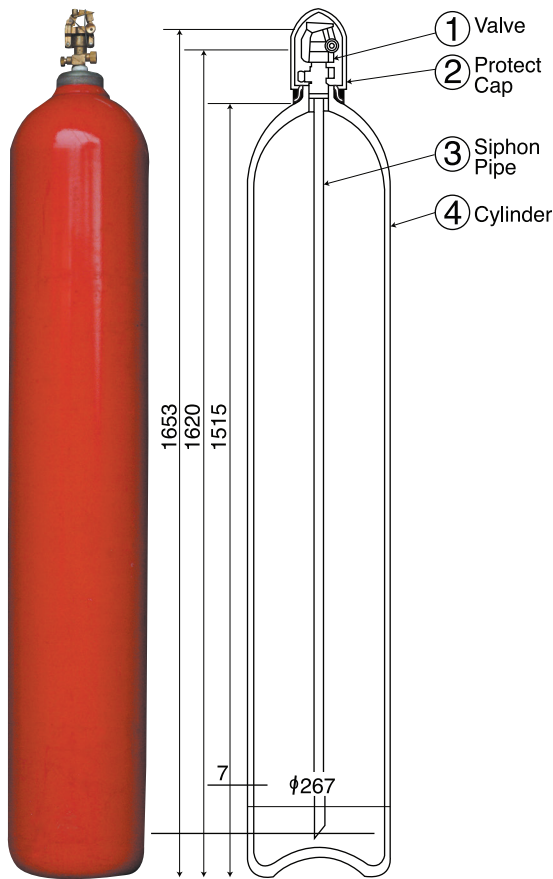


# CO<sub>2</sub> EXTINGUISHING SYSTEM



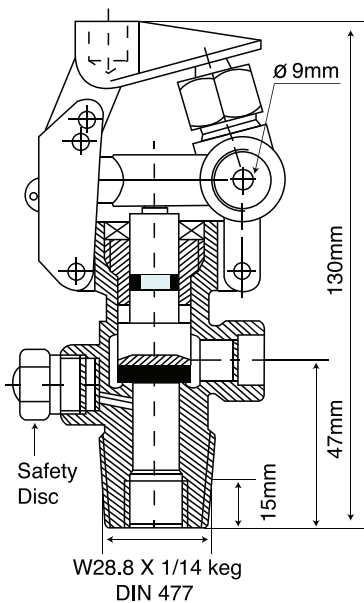
## CARBON DIOXIDE EXTINGUISHING SYSTEM

### CO<sub>2</sub> CYLINDER UNIT

CO<sub>2</sub> cylinder unit consists of Cylinder, Collection Pipe, Connecting Pipe, Open Device, Fixed frame, Cylinder Holder, etc. Fixed frame of steel iron should be solidly fabricated to ensure easy mounting and dismantling of cylinders, so that each cylinder may be independently weighted. Proper CO<sub>2</sub> cylinder unit should be selected from the specifications best fit to the installation site.

TECHNICAL SPECIFICATION	
Empty Weight	+75 Kg
Code No.	CO2-VIC-CY68L-45
Material	In Mn Steel
Nett Volume	68 Litre
CO <sub>2</sub> Capacity	45 Kg
Test Pressure	250 Bar
Working Pressure	150 Bar

Gas Capacity (MAX)	45kg
Water Capacity (MIN)	68.1 L
Weight (APPROX) (CYLINDER ONLY)	80kg
Test Pressure	250 Bar



CO<sub>2</sub> K Valve

## CARBON DIOXIDE EXTINGUISHING SYSTEM

### CYLINDER VALVE

Main CO<sub>2</sub> cylinder provided with Cylinder Valve. They are made of corrosion-proof Forging Brass Rods meeting a pressure test of 250kg f/CM<sup>2</sup> and (designated extent of) conditions such as variation of temperature, vibration, etc. and are free from leakage of extinguishing agent, safety valve (180-250kg f/CM<sup>2</sup> working pressure) is provided to be actuated when internal pressure is intensified due to ambient temperature rise.

TECHNICAL SPECIFICATION	
Manufacturer	VIC
Code No.	CO2-VIC-CY68L-45
Material	Forged Brass CuZn39Pb3
Type of Operation	Manual / Electric / Pneumatic
Leakage Test	120 Bar
Bursting Test	250 Bar
Standard of Compliance	DIN 17660

## CO<sub>2</sub> DISCHARGE NOZZLES

CO<sub>2</sub> nozzles in total flooding system should be arranged in the protected space in a manner to ensure equal distribution of CO<sub>2</sub> gas during a discharge.

Nozzle material : Brass CZ 121



Size	Code No.
1/2" (15)	CO2-VIC-ACC-NZ15
3/4" (19)	CO2-VIC-ACC-NZ20
1" (25)	CO2-VIC-ACC-NZ25



## CO<sub>2</sub> PILOT CYLINDER SOLENOID ACTUATOR

Size	Code No.
1 kg	CO2-VIC-PCY1-PLT
2kg	CO2-VIC-PCY2-PLT

## CO<sub>2</sub> SYSTEM COMPONENTS

### DISCHARGE HOSE AND PNEUMATIC HOSE

- Specification : SAE 100R1AT
- Min. Burst Pressure 8000Psi (1/2"), 11000PSi (1/4")
- Test Pressure : 3000PSi
- Min. Bend Radius : 100mm



Discharge Hose c/w Built in Check Valve



Pneumatic Hose

Size	Code No.	Description
1/2" x 18"	CO2-VIC-FHXX-XXX	Discharge Hose c/w Built in Check Valve
1/4" x 300mm	CO2-VIC-PLH14-MM	Pneumatic Hose