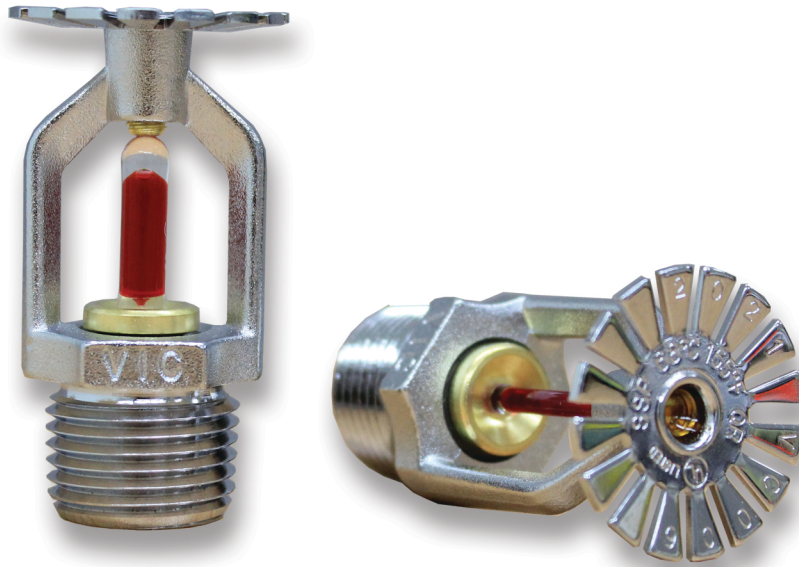




# PENDENT SPRINKLER HEAD



## Description

VIC005 and VIC006 Pendent Sprinklers are designed for use in automatic sprinkler systems designed per the installation standard (NFPA13). The temperature response is standard response (5mmbulb) and fast response (3mmbulb). The sprinklers feature Compact design, different finishes and temperature ratings. The sprinklers body is made of brass die-casting alloy (DZR). The spring seat consists of a spring washer, coated on both sides, and applied with Teflon tape.

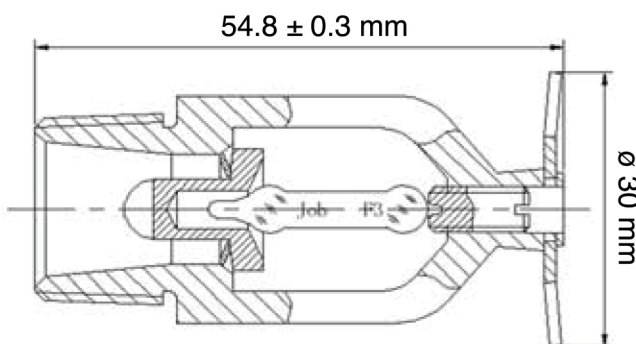
## Technical Specification

K Factor	$\text{gpm}/(\text{psi})^{1/2}$ ( $\text{L}^3/\text{min}/(\text{bar})^{1/2}$ )	5.6 (80)
Nominal Thread Size		1/2" NPT and 1/2" BSPT
Max. Working Pressure		175 PSI (12bar)
Factory Testing Pressure		500 PSI (35bar)
Min. Operating Pressure		7 PSI (0.5 bar)
Finish		Brass or Chrome Plated or White Plated Available
Temperature Rating		135°F (57°C) / 155°F (68°C) / 175°F (79°C) / 200°F (93°C) / 286°F (141°C)

## Material Specification

Deflector	Brass UNS-28000
Bulb	Glass with Glycerin Solution
Loading Screw	Brass UNS-28000
Seal	Brass UNS-28000
Frame	Brass UNS-28000
Seal Washer	Washer, Coated on Both Sides, and Applied with Teflon Tape
Nominal Bulb Diameter	Standard Response 5.0mm, Quick Response 3.0mm

## Pendent Sprinkler Dimension



## Distribution Patterns - Trajectory

