

The AW-CSD381EX series have excellent explosion-proof performance. It is suitable for hazardous locations which include explosive gas environments.

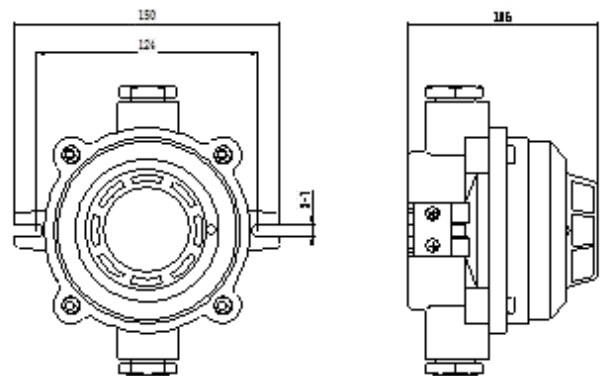
The AW-CSD381EX conventional photoelectric smoke detector uses new scattering technology and unique maze design. It will trigger and latch alarm signal while smog concentrations exceed the set threshold level.

This detector can be used compatible with the conventional fire alarm panels.



### Features

- ✓ LED indicator
- ✓ Excellent explosion-proof performance
- ✓ Meets all requirements of latest EN54-7:2000 and EN54-5:2000
- ✓ Easy Installation



## Technical Specification

Model	AW-CSD381EX		
Main Voltage	DC24V ± 3V (no polarity)		
Operating current	Monitor:	150μA	Alarm: ≤ 30mA
Alarm Relay Output	Normally Open and Closed		
Smoke Alarm Sensitivity	0.10dB/m~0.27 dB/m		
Ex-Atex Protection Level	Gb/ExibDtDA21IP65T85		
Materials and colors	CAST IRON, ABS, White		
Mating Host	AW-CFP2166 fire alarm control panel		
Outlet Interface	G20		
Environmental	Temperature range: -10 to 50°C Humidity: 5 to 95% RH, non-condensing		
Size	150mm* 150mm* 110mm		
Weight	about 1.2kg		
Bus quiescent current	≤ 400 μ A		
Bus quiescent current Outlet thread	2-G3/4		
Alarm confirmation light	red, flashing during inspection, always on when alarm		
Atmospheric pressure	80kPa~110kPa		