

The AW-CSS2166-4W is a conventional water-proof fire strobe and sounder alarm device.

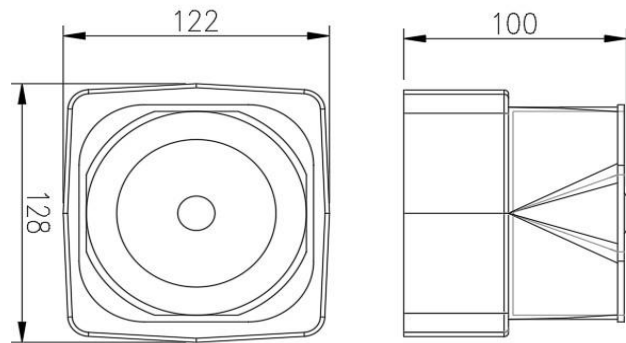
The product features a new folded horn design, LED technology and advanced optics, providing outstanding sound output and supplementary light indication at very low current draw. This device delivers outstanding quality, reliability and extended operational life, making it the ideal choice for a wide range of applications.



Features

- ✓ Equipment operation stable & reliable
- ✓ Easy to install & wire
- ✓ Two kinds of Sounder and strobe signal
- ✓ Adjustable SPL
- ✓ 8 Sounder Alarm models

Installation



Technical Specification

Model	AW-CSS2166-4W
Operating Voltage	12~28 VDC
Maximum Alarm Current	≤110mA @ 24 VDC
Sounder Pressure Level	95 ~ 115dB (Adjustable) @1m
Flash Period	120 times/min
Wiring	The promise of two bus system(BELL+, BELL -)
Environmental	Temperature range: -10 to 50°C (14~122°F) Humidity: 0 to 95% RH, non-condensing
Materials and Colors	ABS, Red
Mating Host	Asenware Conventional and Addresssable Panel
Size (L*W*H)	128* 122* 100 mm
Net Weight	320 g